



Pentaflus Filtrazione S.r.l.

Via A. Moro, 18 20060 Pessano con Bornago (MI) - ITALY

Tel: +39 02 36647850 Fax: + 39 02 36647851

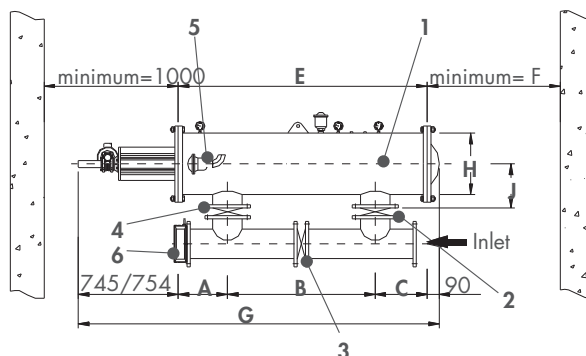
E-mail: pentaflus@pentaflus.com

www.pentaflus.com

Electric self-cleaning screen filter FMA 2000



- Automatic filter Series 2000 1
- Butterfly valve inlet 2
- By-Pass valve 3
- Butterfly valve outlet 4
- Backwashing valve 2" 5
- Check valve (optional) 6



PVC support model	In/Out Connect.	Dimensions (mm)									Filtering surface (cm ²)	Backwashing water consumption (l)	Weight (kg.)
		A	B	C	DN	E	F	G	H	J			
FMA-2003	3"	302	360	219	80	881	400	1625	457	325	2.450	35	245
FMA-2004	4"	314	770	220	100	1305	690	2140	457	325	4.900	70	280
FMA-2006	6"	340	1000	240	150	1580	970	2415	457	325	7.350	105	340
FMA-2008	8"	367	1100	388	200	1855	1240	2690	457	325	9.800	140	390
FMA-2010	10"	419	1370	341	250	2130	1520	2965	457	325	12.250	175	430
FMA-2012	12"	430	1100	325	300	1855	1240	2690	660	450	16.100	140	595
FMA-2014	14"	433	1370	327	350	2130	1520	2965	660	450	20.100	175	668

ST.STEEL support model	In/Out Connect.	Dimensions (mm)									Filtering surface (cm ²)	Backwashing water consumption (l)	Weight (kg.)
		A	B	C	DN	E	F	G	H	J			
FMA-2003	3"	302	360	219	80	881	400	1625	457	325	2.650	35	261
FMA-2004	4"	315	770	220	100	1305	690	2140	457	325	5.380	70	304
FMA-2006	6"	340	1000	240	150	1580	970	2415	457	325	7.990	105	382
FMA-2008	8"	367	1100	388	200	1855	1240	2690	457	325	10.600	140	439
FMA-2010	10"	446	1370	314	250	2130	1520	2965	457	325	13.210	175	495
FMA-2012	12"	430	1100	325	300	1855	1240	2707	660	450	16.500	140	675
FMA-2014	14"	433	1370	327	350	2130	1520	2982	660	450	21.300	175	753

PVC Model	Flow rate (m ³ /h)			
	Max. flow rate	High Quality	Medium Quality	Low Quality
FMA-2003	75	45	35	25
FMA-2004	150	80	65	50
FMA-2006	290	150	120	90
FMA-2008	450	250	200	150
FMA-2010	800	400	320	240
FMA-2012	920	500	400	300
FMA-2014	1250	600	480	360

ST.STEEL Model	Flow rate (m ³ /h)			
	Max. flow rate	High Quality	Medium Quality	Low Quality
FMA-2003	120	60	48	34
FMA-2004	235	110	90	70
FMA-2006	500	215	173	129
FMA-2008	700	320	256	192
FMA-2010	1150	580	464	348
FMA-2012	1400	700	560	420
FMA-2014	1800	900	720	540

Note: Values for 125 microns.
Other filtration degrees available on demand.